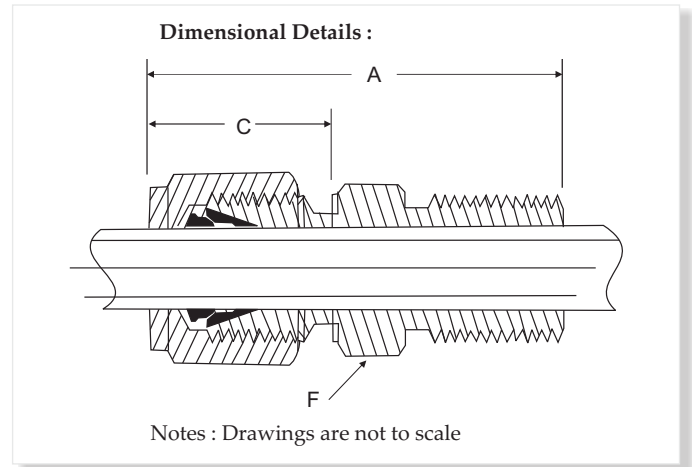


BORE THROUGH THERMOCOUPLE CONNECTOR



Dimension, in.

Tube OD	NPT Male Thread Size	Part Number	A mm	C mm	F in
1/8	1/8	K2BTC2N	1.20	0.50	7/16
1/8	1/4	K2BTC4N	1.40	0.50	9/16
1/4	1/8	K4BTC 2N	1.29	0.60	1/2
1/4	1/4	K4BTC4N	1.49	0.60	9/16
1/4	3/8	K4BTC6N	1.51	0.60	11/16
1/4	1/2	K4BTC8N	1.76	0.60	7/8
1/4	3/4	K4BTC12N	1.82	0.60	11/16
3/8	1/4	K6BTC4N	1.57	0.66	5/8
3/8	3/8	K6BTC6N	1.57	0.66	11/16
3/8	1/2	K6BTC8N	1.82	0.66	7/8
3/8	3/4	K6BTC12N	1.88	0.66	11/16
1/2	1/4	K8BTC4N	1.71	0.90	13/16
1/2	3/8	K8BTC6N	1.71	0.90	13/16
1/2	1/2	K8BTC8N	1.93	0.90	7/8
1/2	3/4	K8BTC12N	1.99	0.90	11/16
1/2	1	K8BTC16N	2.25	0.90	1 3/8
3/4	1/2	K12BTC8N	1.99	0.96	11/16
3/4	3/4	K12BTC12N	1.99	0.96	11/16
3/4	1	K12BTC16N	2.25	0.96	13/8
1	1/2	K16BTC8N	2.26	1.23	13/8
1	3/4	K16BTC12N	2.26	1.23	13/8
1	1	K16BTC16N	2.45	1.23	13/8

Note:

- A and C dimensions are typical finger-tight
- The E dimension is the minimum opening. These fitting may have a larger opening at the pipe/straight thread end.
- These fitting may have a reduced pressure rating.

Dimension, mm

Tube OD	NPT Male Thread Size	Part Number	A mm	C mm	F in
6	1/8	KM6BTC2N	32.8	15.3	14
6	1/4	KM6BTC4N	37.9	15.3	14
6	3/8	KM6BTC6N	38.4	15.3	18
6	1/2	KM6BTC8N	44.7	15.3	22
8	1/8	KM8BTC2N	34.2	16.2	15
8	1/4	KM8BTC4N	38.7	16.2	15
8	3/8	KM8BTC6N	39.3	16.2	18
8	1/2	KM8BTC8N	45.6	16.2	22
10	1/8	KM10BTC2N	36.3	17.2	18
10	1/4	KM10BTC4N	40.9	17.2	18
10	3/8	KM10BTC6N	40.9	17.2	18
10	1/2	KM10BTC8N	46.5	17.2	22
10	3/4	KM10BTC12N	48.0	17.2	27
12	1/8	KM12BTC2N	38.8	22.8	22
12	1/4	KM12BTC4N	43.4	22.8	22
12	3/8	KM12BTC6N	43.4	22.8	22
12	1/2	KM12BTC8N	49.0	22.8	22
12	3/4	KM12BTC12N	50.5	22.8	27
16	3/8	KM16BTC2N	44.1	24.4	24
16	1/2	KM16BTC8N	49.0	24.4	24
16	3/4	KM16BTC12N	50.5	24.4	27
18	1/2	KM18BTC8N	50.5	24.4	27
18	3/4	KM18BTC12N	50.5	24.4	27
20	1/2	KM20BTC8N	52.3	26.0	30
20	3/4	KM20BTC12N	52.3	26.0	30
22	3/4	KM22BTC12N	52.3	26.0	30
22	1	KM22BTC16N	57.1	26.0	35
25	1/2	KM25BTC8N	57.5	37.3	35
25	3/4	KM25BTC12N	57.5	31.3	35
25	1	KM25BTC16N	62.3	31.3	35

Dimensions and specifications shown are approximate, may vary from time to time.

Ventil tube fittings are ordered by part numbers as listed in this catalogue and other sizes will be available on request.